

Get Started with the ioThinX IIoT Starter Kit



Easily Connects to an IT/OT Cloud

Set up MQTT, RESTful API, SNMP, and Modbus connections in a few simple steps.

Plug-and-play for Rapid Deployment

No wiring required. Everything is connected and ready to go.

Modular Design for Greater Versatility

The ioThinX 4510's modular design, with the base and I/O boards housed in separate units, gives users the flexibility they need to set up efficient operations. The various I/O modules can be used for different purposes, including debugging, maintenance, and conducting demos.



Product Page

Learn More

Visit www.moxa.com and search "ioThinX IIoT Starter Kit" or scan the QR code for more information.

Your Trusted Partner in Automation

Moxa is a leading provider of edge connectivity, industrial computing, and network infrastructure solutions for enabling connectivity for the Industrial Internet of Things (IIoT). With over 30 years of industry experience, Moxa has connected more than 57 million devices worldwide and has a distribution and service network that reaches customers in more than 70 countries. Moxa delivers lasting business value by empowering industries with reliable networks and sincere service. Information about Moxa's solutions is available at www.moxa.com.

Moxa Americas USA

Toll Free: 1-888-MOXA-USA
Tel: +1-714-528-6777
Fax: +1-714-528-6778
usa@moxa.com

Brazil

Tel: +55-11-95261-6545
brazil@moxa.com

Moxa Europe Germany

Tel: +49-89-37003-99-0
Fax: +49-89-37003-99-99
europe@moxa.com

France

Tel: +33-1-30-85-41-80
Fax: +33-1-30-47-35-91
france@moxa.com

UK

Tel: +44-1844-355-601
Fax: +44-1844-353-553
uk@moxa.com

Moxa Asia-Pacific and Taiwan Asia/Japan/Taiwan

Tel: +886-2-8919-1230
Fax: +886-2-8919-1231
asia@moxa.com
japan@moxa.com
taiwan@moxa.com

India

Tel: +91-80-4172-9088
Fax: +91-80-4132-1045
india@moxa.com

Russia

Tel: +7-495-287-0929
Fax: +7-495-269-0929
russia@moxa.com

Korea

Tel: +82-2-6268-4048
Fax: +82-2-6268-4044
korea@moxa.com

Moxa China Shanghai

Tel: +86-21-5258-9955
Fax: +86-21-5258-5505
china@moxa.com

Beijing

Tel: +86-10-5976-6123/24/25/26
Fax: +86-10-5976-6122
china@moxa.com

Shenzhen

Tel: +86-755-8368-4084/94
Fax: +86-755-8368-4148
china@moxa.com

© 2019 Moxa Inc. All rights reserved.
The MOXA logo is a registered trademark of Moxa Inc. All other logos appearing in this document are the intellectual property of the respective company, product, or organization associated with the logo.

P/N: 1900001901800

MOXA®

Deliver Your I/O Data to the Cloud, Quickly and Securely

ioThinX 4500 Series advanced modular controllers and remote I/Os

MOXA®



ioThinX

Tailor-made for IIoT applications, the compact, intelligent, and secure ioThinX 4500 Series advanced modular controllers and remote I/Os provide I/O-to-cloud connectivity and IT/OT protocol convergence.

Cloud Connectivity

Cybersecurity

Tool-free Installation and Removal



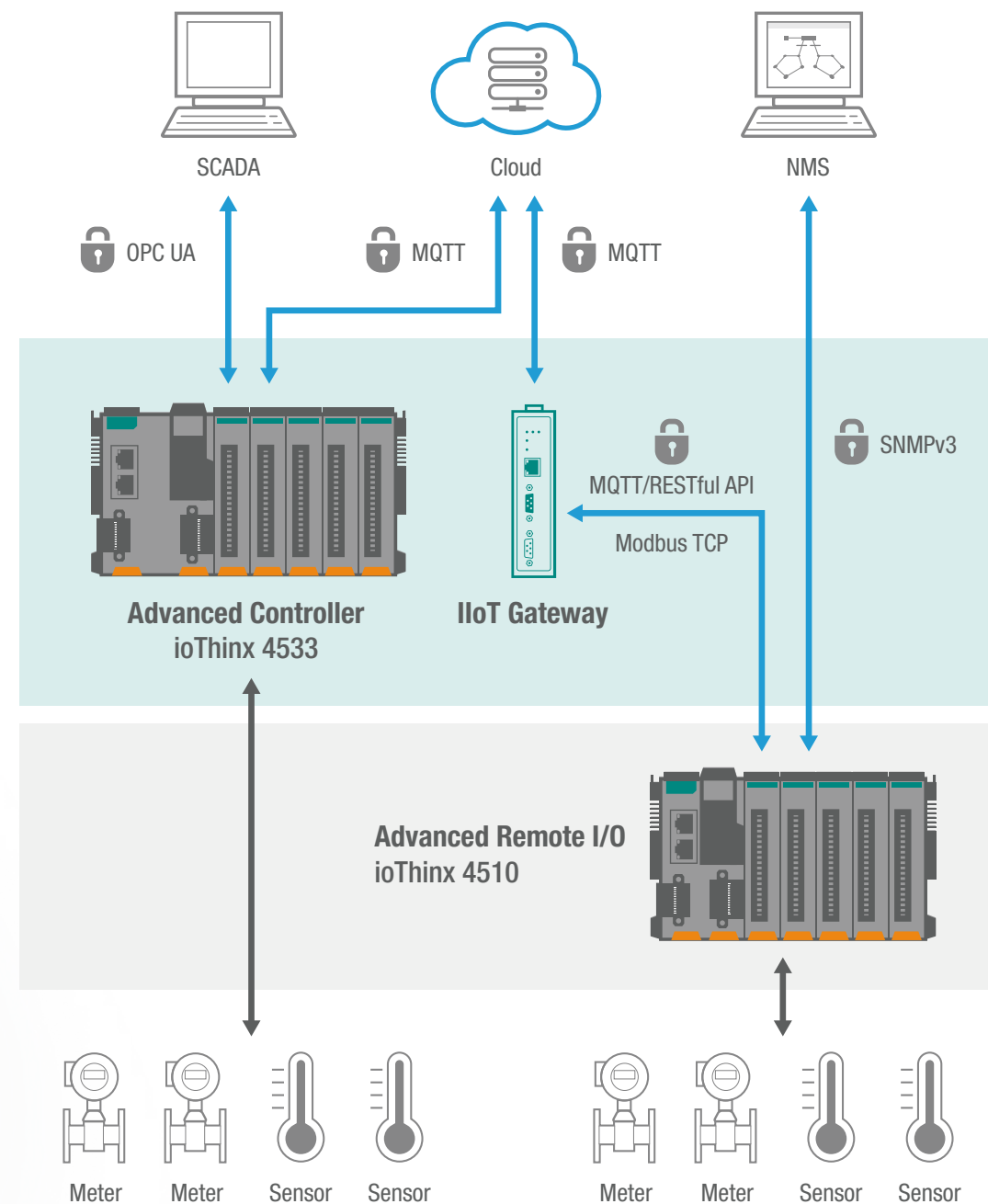
“The excellent innovation of the ioThinX 4500 Series is based on its simple yet smart installation principle, which saves a lot of time and effort.”

Red Dot Award Jury, Product Design 2019



reddot award 2019 winner industrial design

Moxa's ioThinX 4500 Series products are IIoT-ready modular controllers and I/Os featuring programming capability, cloud connectivity, high computing power, and a system-wide cybersecurity design. The ioThinX Series is specifically designed for Industrial IoT applications to deploy your I/O data to the cloud effortlessly and securely. The ioThinX 4500 Series consists of the ioThinX 4533 advanced modular controller and the ioThinX 4510 IIoT-ready remote I/O. Refer to the suggested application structure below:



ioThinX 4533 Advanced Modular Controller



CPU	NXP i.MX7D 1GHz
Power Inputs	System Power: 12 to 48 VDC; Field Power: 12/24 VDC
Expansion Modules	64
Operating System	Linux kernel 4.4 (CIP, PREEMPT_RT), Debian 9
Memory	512 MB DDR3
Storage (pre-installed)	8 GB eMMC
Programming Language	C/C++, Python
Operating Temperature	Standard Models: -20 to 60°C (-4 to 140°F); Wide Temp. Models: -40 to 75°C (-40 to 167°F)

Cloud Connectivity

Save field-site data to the cloud with the built-in Azure/AWS/Alibaba SDK library. In addition, streamline your operations with OPC UA to SCADA capability.

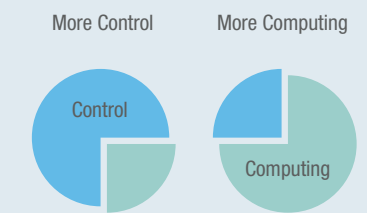
Programming Language

Supports a variety of programming languages, including:

- Python
- C/C++
- Node-Red

Precision Control

Achieve control and computing balance in one device by using a real-time OS to prioritize application settings.



System-wide Cybersecurity Design

Systematic Security Protection to help users mitigate cybersecurity threats.

Access Control

Encryption Data Security Availability

Audit Log

Operating System

- Moxa Industrial Linux
- Secure Boot

Hardware Security

- Trusted Platform Module (TPM), optional

ioThinX 4510 Advanced Modular Remote I/O



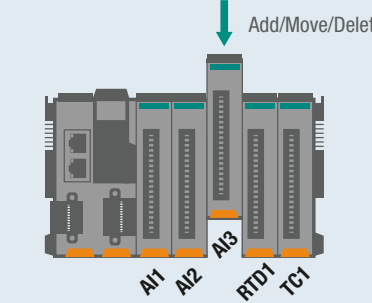
Power Inputs	System Power: 12 to 48 VDC; Field Power: 12/24 VDC
Expansion Modules	32
IT Protocols	SNMPv1/v2c/v3, RESTful API, MQTT
OT Protocols	Modbus/TCP Server (slave)
Gateway Function	Modbus/RTU Master to Modbus/TCP, SNMP, RESTful API, MQTT
Operating Temperature	Standard Models: -20 to 60°C (-4 to 140°F); Wide Temp. Models: -40 to 75°C (-40 to 167°F)

Cloud Connectivity

The ioThinX 4510 Series supports MQTT protocols that can be connected to the cloud with a reasonable number of mouse clicks. If you are using a web HMI or NMS for data supervision on a private cloud, you can make the connection using a RESTful API or SNMP, respectively.

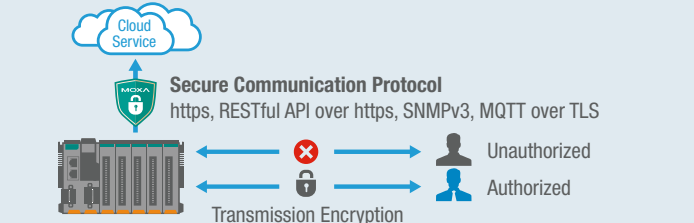
Auto Reconfiguration

You only need to make a few simple changes, with no reconfiguration effort required. Simply fine tune the modules you want to change, and keep the others as is.



Cybersecurity

The ioThinX 4510 Series is compliant with IEC 62443 level 1.



- Confidentiality**
- Authentication: Account management, Login Policy, Session Management
- Integrity**
- Access Control: Role-based access control, IP-based whitelist
- Availability**
- Interface protection: Network port protection, service disabled by default

45MR Modules for the ioThinX 4500 Series



	45MR-1600(-T)	45MR-1601(-T)	45MR-2600(-T)	45MR-2601(-T)	45MR-2606(-T)	45MR-2404(-T)	45MR-3800(-T)	45MR-3810(-T)	45MR-4420(-T)	45MR-6600(-T)	45MR-6810(-T)
Digital Inputs	16 (PNP)	16 (NPN)	-	-	8 (PNP)	-	-	-	-	-	-
Digital Outputs	-	-	16 (sink)	16 (source)	8 (source)	-	-	-	-	-	-
Relays	-	-	-	-	4 (Form A)	-	-	-	-	-	-
Analog Inputs	-	-	-	-	-	8 (0/4-20 mA)	8 (-10/0-10 V)	-	-	-	-
Analog Outputs	-	-	-	-	-	-	-	4 (0/4-20 mA, 0-10 V)	-	-	-
RTDs	-	-	-	-	-	-	-	-	6	-	-
Thermocouples	-	-	-	-	-	-	-	-	-	-	8
Operating Temp.	Standard Models: -20 to 60°C (-4 to 140°F); Wide Temp. Models (-T): -40 to 75°C (-40 to 167°F)										

Please visit our website for the most up-to-date product information.